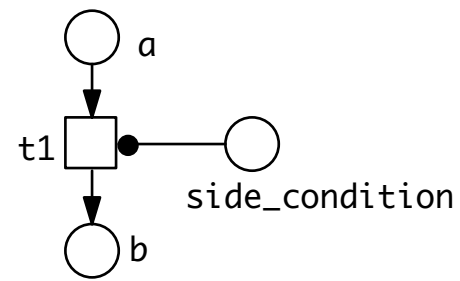
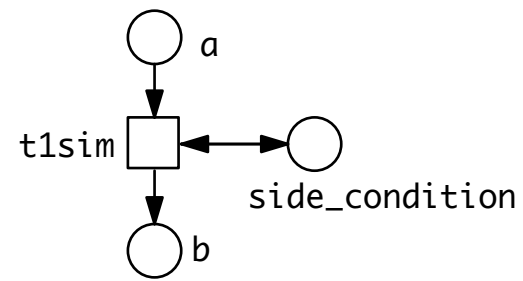


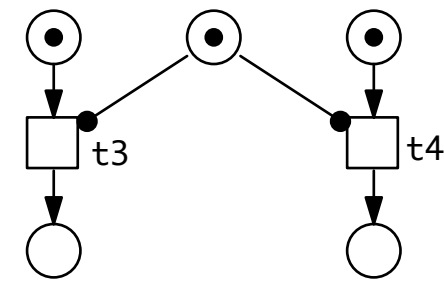
simulation of read arcs



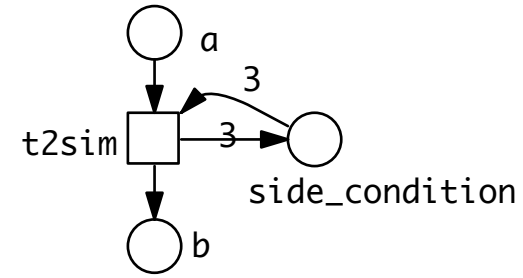
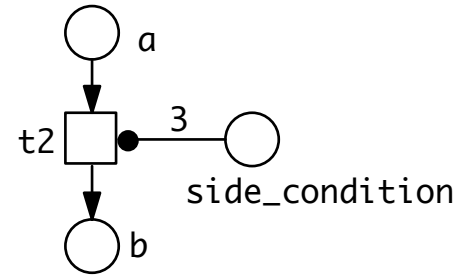
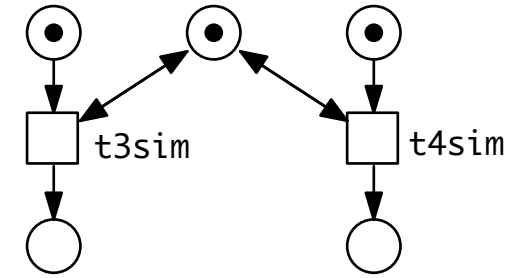
equivalent under interleaving semantics



concurrently shared

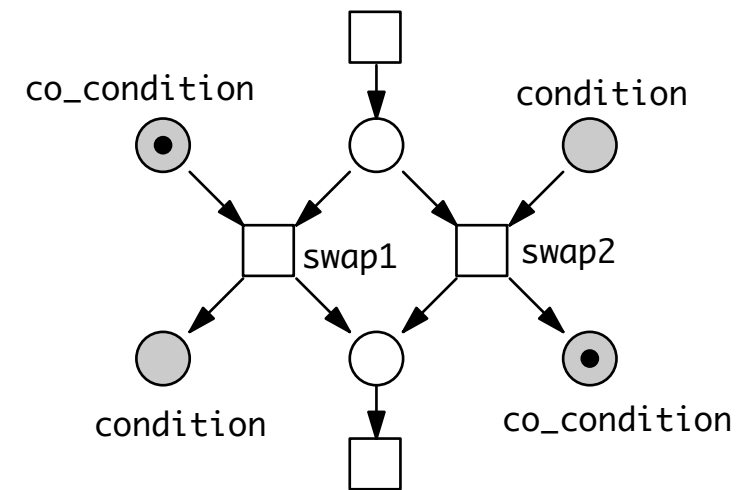
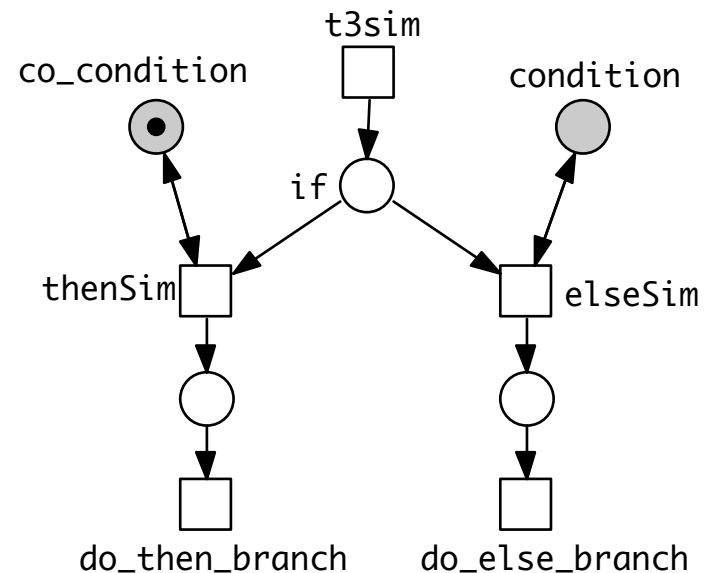
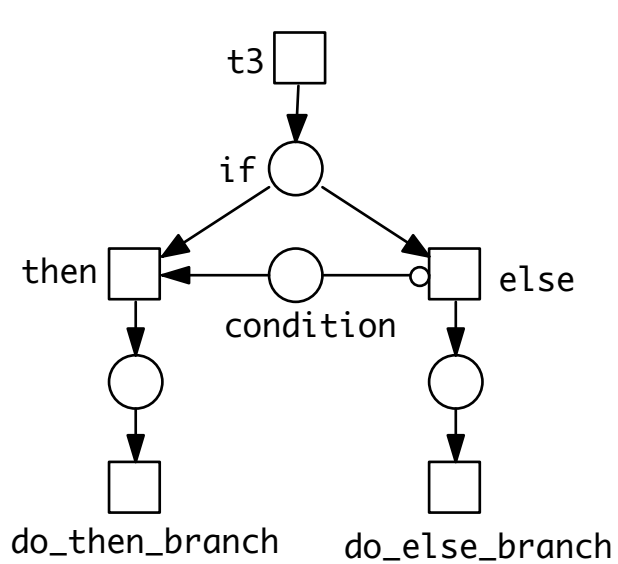


exclusively shared

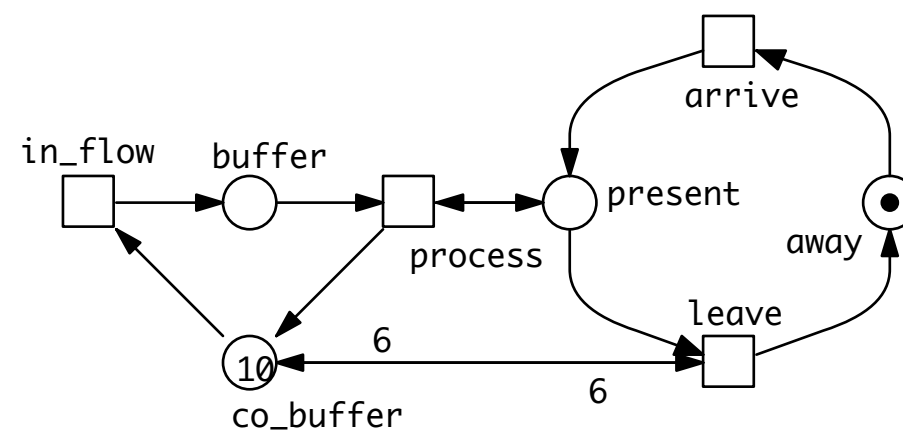
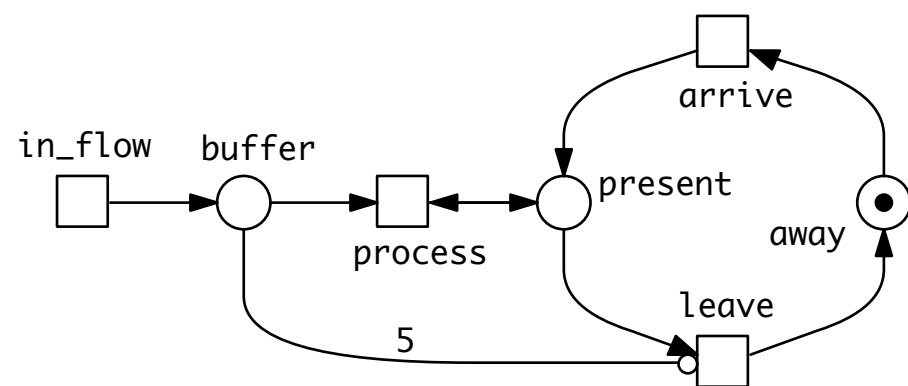


simulation of inhibitor arcs

precondition:
test_place has a finite and known boundedness degree



assumption:
test_place and co_test_place
form a 1-P-invariant
(sum of tokens is 1)



assumption:
buffer and co_buffer
form a 10-P-invariant
(token sum always 10)